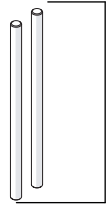
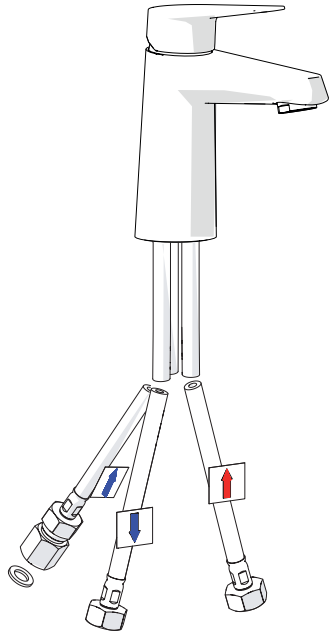


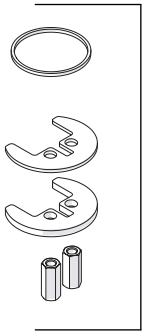


1

Not included / Non incluso / Non Inclus / Nie zawarty / No incluido / Nao incluido

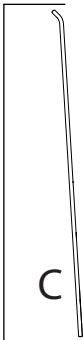


A

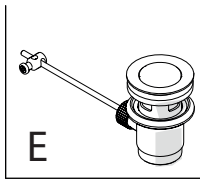


B

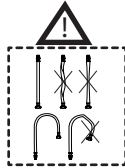
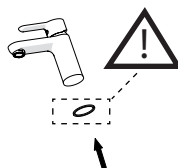
COLD WATER HOT WATER



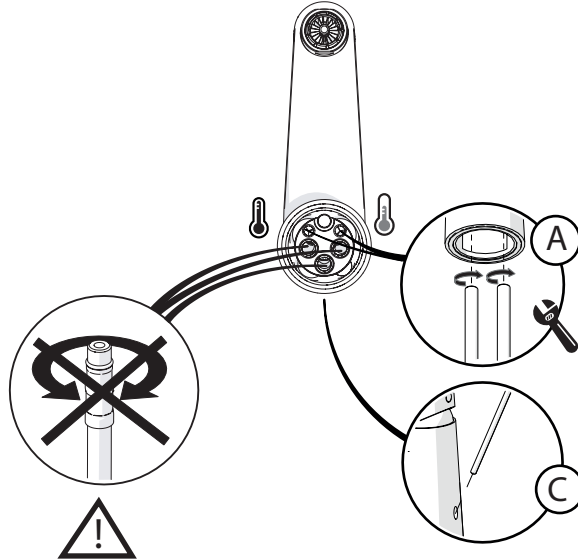
C



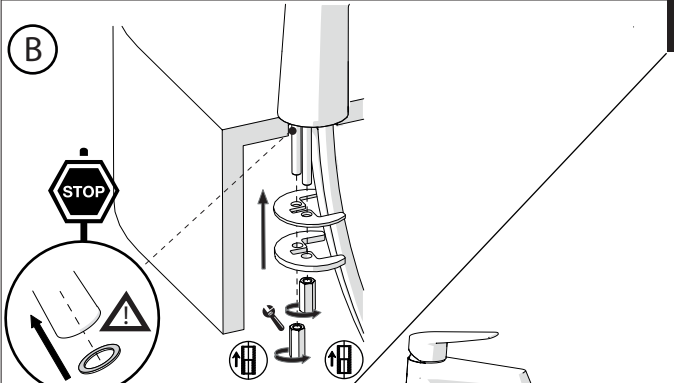
E



2

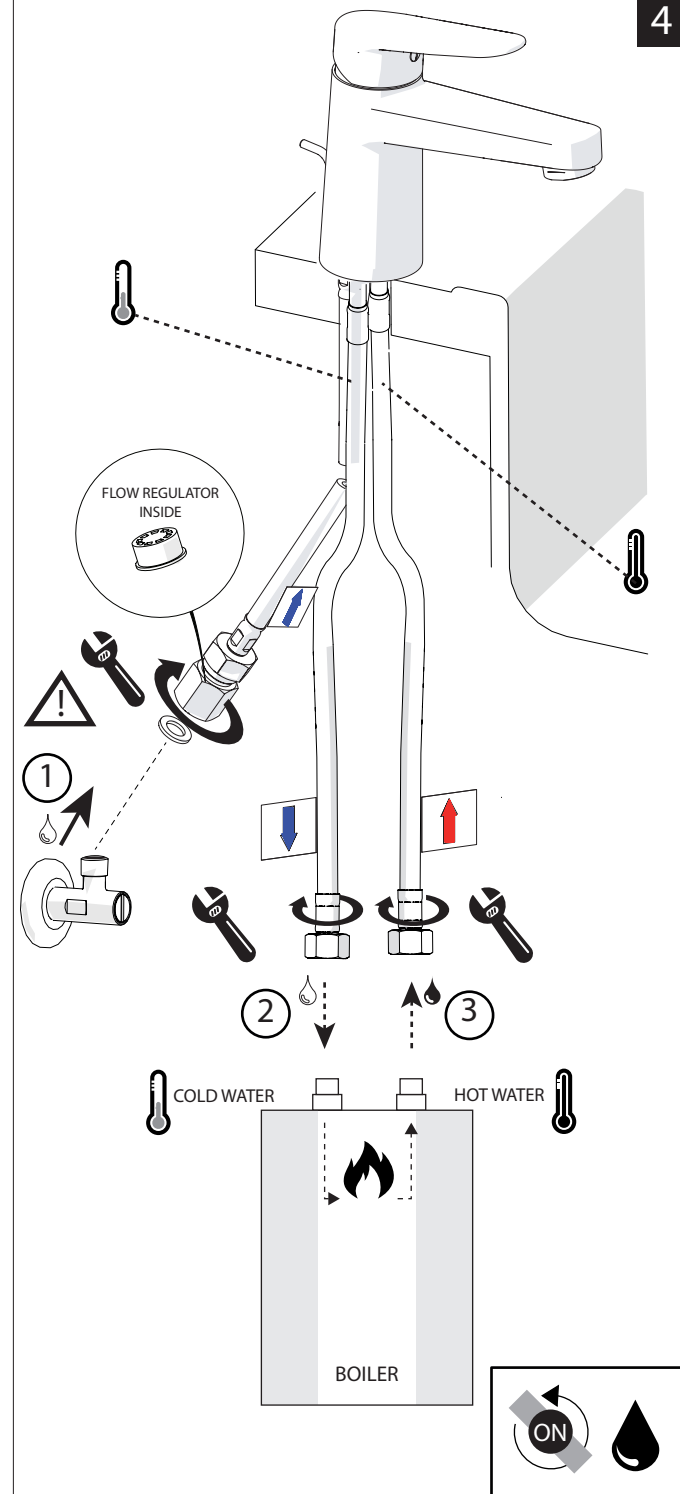


B



PUT GASKET

3



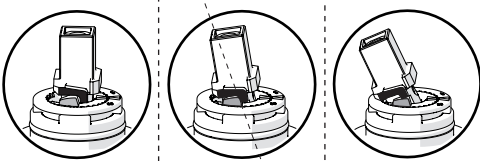
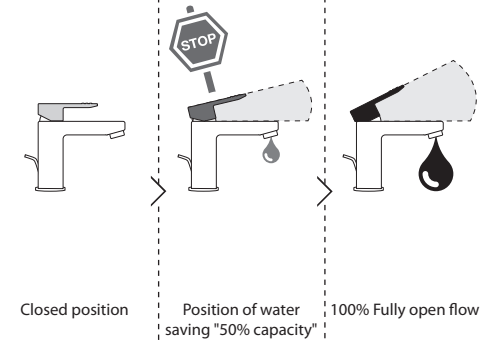
4



"Dinamic" flow rate restrictor "50%"

5

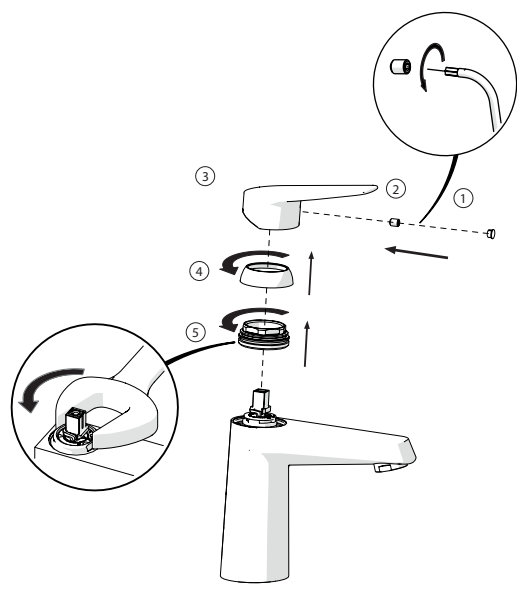
CLOSE ON 50% ON 100%



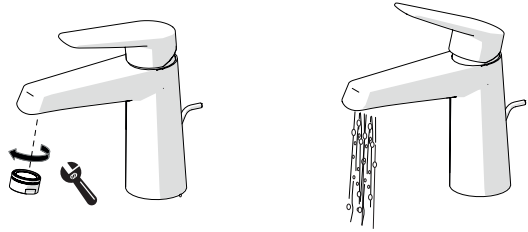
Closed position Position of water saving "50% capacity" 100% Fully open flow



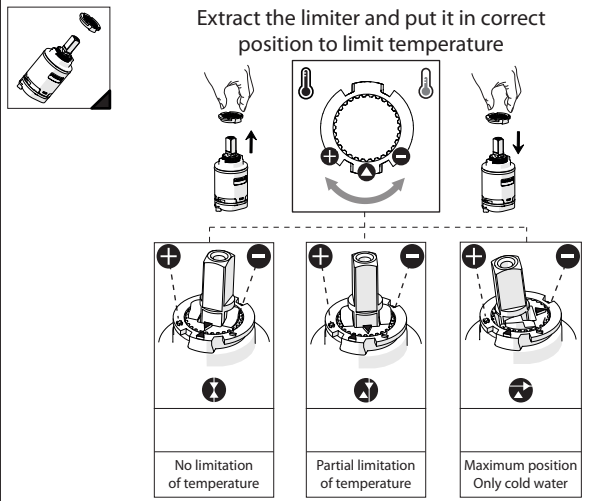
6



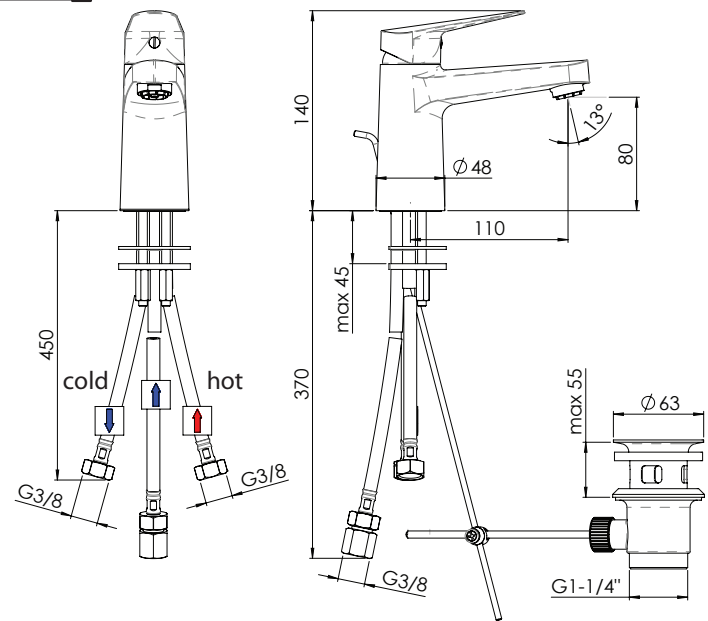
7



Extract the limiter and put it in correct position to limit temperature



8



VIGOUR

Pure Lebenskraft im Bad



ONND



BEFORE STARTING



CLEANING

